



MINDEN MANUFACTURING

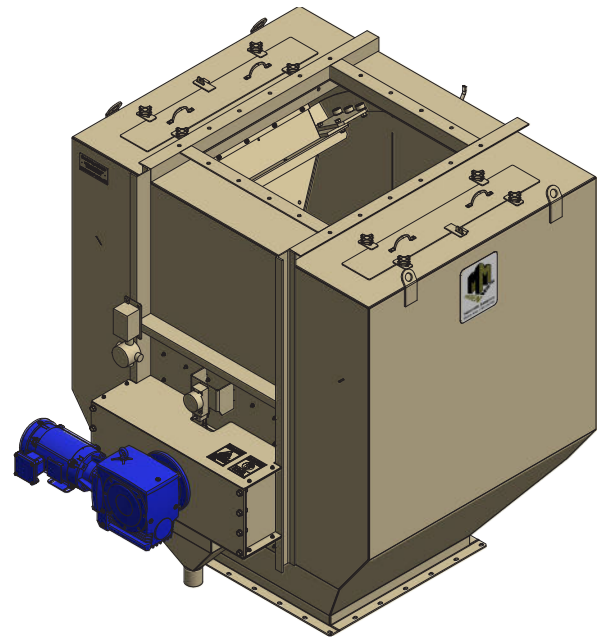
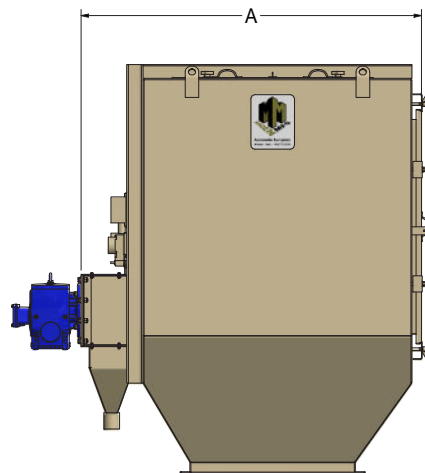
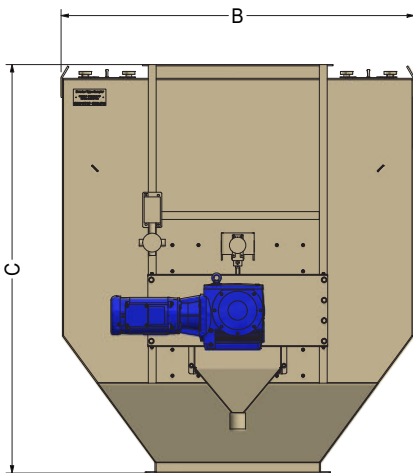
Automatic Samplers

At Minden MFG, we are proud to offer our automatic sampler, designed by our dedicated team to deliver reliable performance with minimal maintenance required. Our models are built to last and can be installed vertically or at an angle, providing versatility to suit your needs.

We take great care in manufacturing our direct drive pelican sampler, secondary diverter, and controller right here in the USA, ensuring quality at every step of the process. We stand behind our automatic samplers and offer direct support 24/7, so you can have confidence in your investment.

MINDEN MFG PELICAN STYLE SAMPLER SIZE CHART

Inlet / Outlet	16" - 20"	22" - 26"	28" - 32"	34" - 36"
A	3' 10"	4' 4"	4' 10"	5' 4"
B	4' 5"	4' 11"	5' 5"	5' 9"
C	5' 3"	5' 9"	6' 3"	6' 7"



BUILDING PREMIUM AUTOMATIC SAMPLERS IN THE HEART OF THE MIDWEST

Minden Manufacturing
512 Main Street
Minden, IA 51553
mindenmfg.com

For a quote,
please contact our
certified dealer



Tyler Feller
O 712.545.3461
C 402.926.8934
tyler@candascales.com